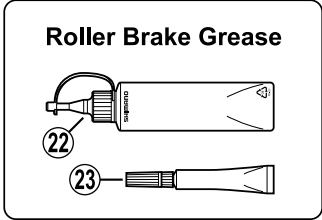
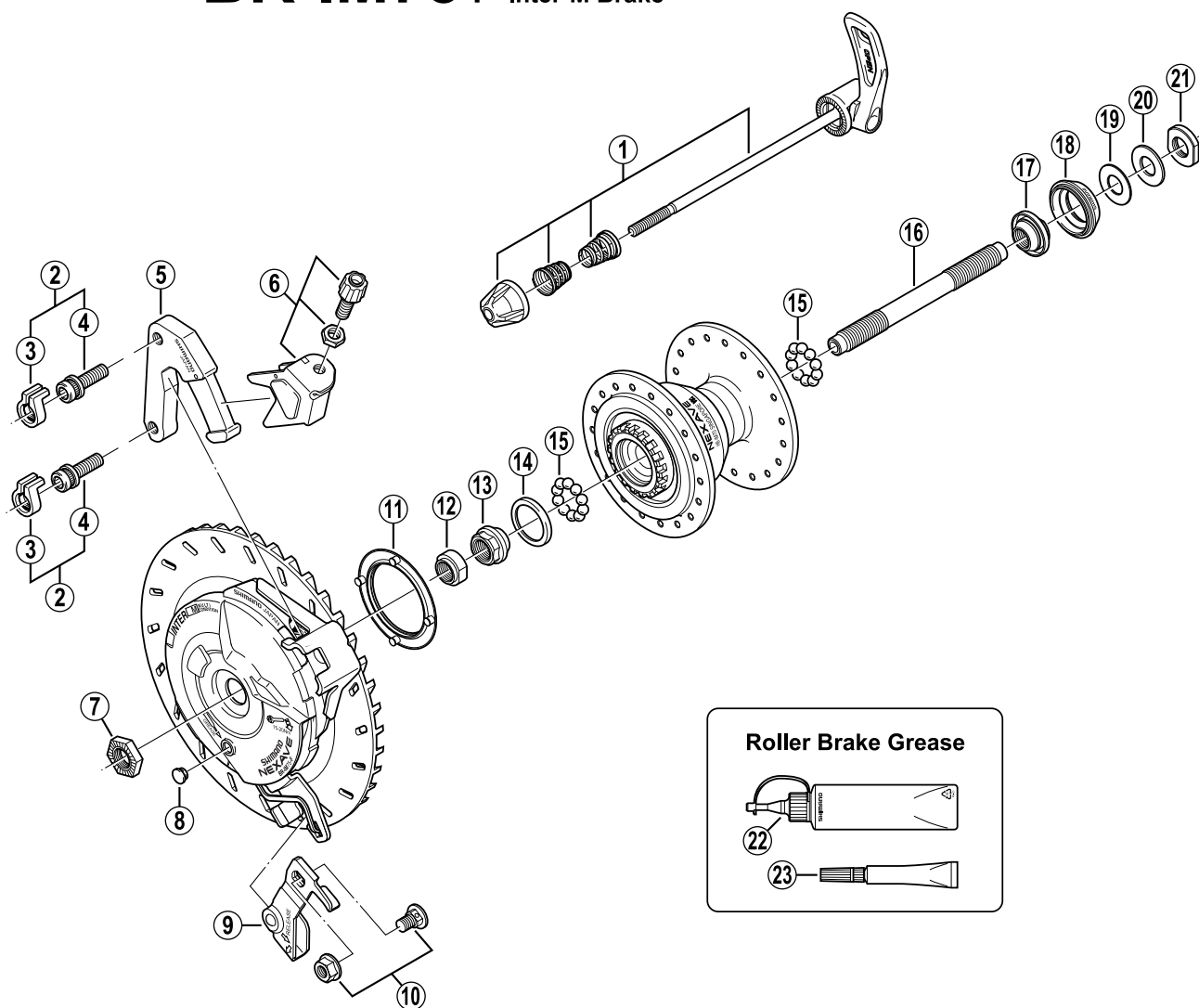


SHIMANO NEXAVE FRONT HUB w/Hi-Power Roller Brake

HB-IM70 Front Hub

BR-IM75-F Inter-M Brake



Q'TY	ITEM NO.	SHIMANO CODE NO.	DESCRIPTION
	1	Y-20R 98010	Complete Quick Release 133 mm (5-1/4")
	2	Y-8C4 98010	Adapter Fixing Bolt (M6 x 20) & Stop Ring
	3	Y-8C5 11000	Stop Ring
	4	Y-8C5 09000	Adapter Fixing Bolt (M6 x 20)
	5	Y-75C 03000	Adapter
	6	Y-75C 98020	Brake Cable Adjusting Bolt Unit
	7	Y-22T 05000	Brake Unit Fixing Nut (M10 x 4 mm)
	8	Y-75F 11000	Grease Hole Cap
	9	Y-75F 98010	Link Unit
	10	Y-75F 98020	Inner Cable Fixing Bolt & Nut
	11	Y-75P 17000	Seal Ring for Brake
	12	Y-31Z 06010	Left Hand Cone Lock Nut (M10 x 7.1 mm)
	13	Y-22V 03100	Left Hand Cone (M10 x 11.94 mm)
	14	Y-22V 06000	Left Hand Dust Cap
	15	Y-000 91210	Steel Ball (3/16") 20 pcs.
	16	Y-22T 03000	Hub Axle (M10 x 108 mm)
	17	Y-22T 98010	Right Hand Cone (M10 x 10.4 mm) w/Dust Cover
	18	Y-21H 04000	Rubber Seal
	19	Y-3AC09000	Right Hand Washer (0.5 mm)
	20	Y-3AC09100	Right Hand Washer (1.0 mm)
	21	Y-21S 04000	Right Hand Serated Lock Nut (M10 x 3 mm)
	22	Y-041 20400	Roller Brake Grease (Net. 100g)
	23	Y-041 40020	Roller Brake Grease (Net. 10g)