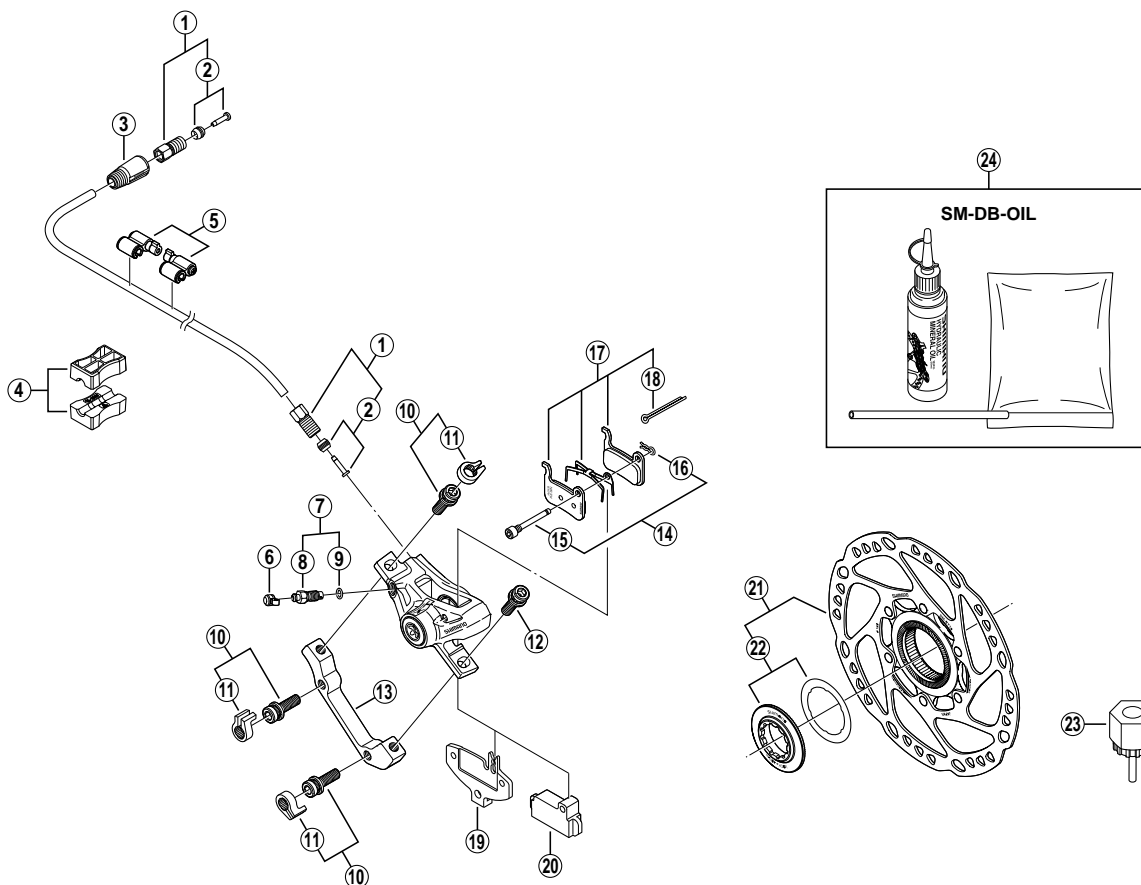


DEORE XT Rear Disc Brake

BR-M775 Brake Caliper
SM-RT78 Disc Rotor

SM-BH59 Brake Hose



BR-M775
 BR-M765

ITEM NO.	SHIMANO CODE NO.	DESCRIPTION	INTERCHANGEABILITY	
			BR-M775	BR-M765
1	Y-8H2 98010	Connecting Bolt Unit	A	A
2	Y-8H2 98020	Olive & Connecting Insert	A	A
3	Y-8H2 03010	Cover	A	A
4	Y-8H1 98030	TL-BH61 Special Tool (2 pcs.)	A	A
5	Y-830 98040	SM-HANG Hose Supporter A & B	A	A
6	Y-8B2 14000	Bleed Nipple Cap	A	A
7	Y-8CL 98050	Bleed Nipple & Seal Ring	A	A
8	Y-8CL 24000	Bleed Nipple	A	A
9	Y-8B5 11001	O-Ring for Bleed Nipple	A	A
10	Y-8DS 98010	Adapter Fixing Bolt (M6 x 18.7) & Stop Ring	A	A
11	Y-8C5 11000	Stop Ring	A	A
12	Y-8C5 09020	Adapter Fixing Bolt (M6 x 18.7)	A	A
13	Y-8DB 10000	A-Standard Mount Adapter for Disc Rotor ϕ 160 mm	A	A
14	Y-8CY 98020	Pad Axle & Snap Ring	B	A
15	Y-8CY 04000	Pad Axle	B	A
16	Y-8B2 12000	Snap Ring	A	A
17	Y-8EP 98010	Resin Pad (A01S) & Spring w/Split Pin	B	B
	Y-8CL 98010	Metal Pad (M06) & Spring w/Split Pin	B	A
18	Y-8DB 06000	Split Pin		
19	Y-8CL 12000	Pad Spacer	A	A
20	Y-8CL 18000	Spacer for Bleeding	A	A
21	Y-8HJ 98010	SM-RT78 Disc Rotor Unit (ϕ 160 mm)	B	A
	Y-8HJ 98020	SM-RT78M Disc Rotor Unit (ϕ 180 mm)	B	A
	Y-8HJ 98030	SM-RT78L Disc Rotor Unit (ϕ 203 mm)	B	A
22	Y-8CL 98090	Lock Ring & Washer	B	A
23	Y-120 09230	TL-LR15 Lock Ring Removal Tool	A	A
24	Y-839 98010	Mineral Oil Bleed Kit (50 ml)	A	A

A: Same parts.

B: Parts are usable, but differ in materials, appearance, finish, size, etc.
 Absence of mark indicates non-interchangeability.

0706-2764

Specifications are subject to change without notice.

SHIMANO