

SHIMANO®

SHIMANO EUROPA
 Industrieweg 24 NL-8071 CT Nunspeetâ Holland
 Phone 31-3412-72222

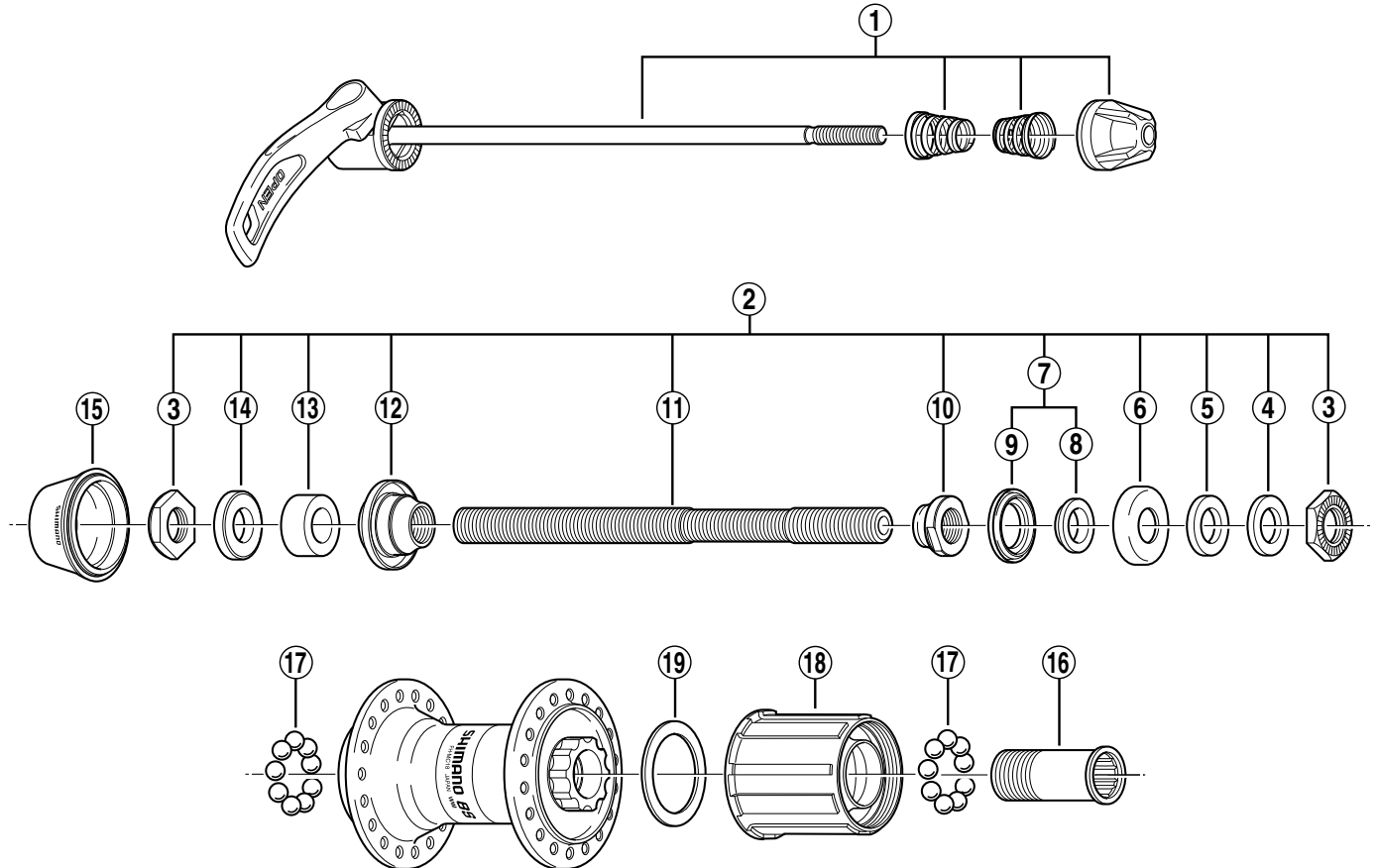
SHIMANO AMERICAN CORPORATION
 One Holland Irvine CA 92618 U.S.A.
 Phone 949-951-5003

Spare parts list for after market.

- You may photocopy this sheet and use it as an order form.
- Sie können dieses Blatt kopieren und als Bestellformular verwenden.
- Vous pouvez photocopier cette feuille et l'utiliser comme bon de commande.
- Dit blad kan gecopieerd en als bestelformulier gebruikt worden.
- Potete fotocopiare questo foglio e usarlo come modulo di commissione.

SHIMANO ALIVIO Freehub FH-MC18 8-Speed

Jan. 1999



• Use with CS-HG50-8l (an).

ITEM NO.	SHIMANO CODE NO.	DESCRIPTION
1	Y-30R 90220	Complete Quick Release 168 mm (6-5/8")
2	Y-3A3 98010	Complete Hub Axle 146 mm (5-3/4")
3	Y-220 05021	Serrated Lock Nut 3.5 mm
4	Y-301 06300	Right Hand Washer 1.9 mm
5	Y-301 06100	Right Hand Washer 2.3 mm
6	Y-3A0 05100	Right Hand Dust Cap
7	Y-32X 98020	Right Hand Axle Spacer & Seal Ring
8	Y-31V 03000	Right Hand Axle Spacer 3.7 mm
9	Y-214 06000	Right Hand Seal Ring
10	Y-3AE 03000	Right Hand Cone (M10 x 9 mm)
11	Y-30K 01200	Hub Axle 146 mm (5-3/4")
12	Y-3AE 98030	Left Hand Cone (M10 x 16 mm) w/Dust Cover
13	Y-220 04110	Left Hand Axle Spacer 8 mm
14	Y-3AC08300	Left Hand Axle Spacer 3 mm
15	Y-3AC04000	Rubber Seal
16	Y-359 04000	Body Fixing Bolt
17	Y-000 91310	Steel Ball (1/4") 18 pcs.
18	Y-3A3 98020	Complete Freewheel Body w/Right Hand Dust Cap
19	Y-375 04000	Freewheel Body Washer

Over Lock Nut Dimension: 135 mm (5-5/16")

IL/FH Printed in Japan 9901-1749