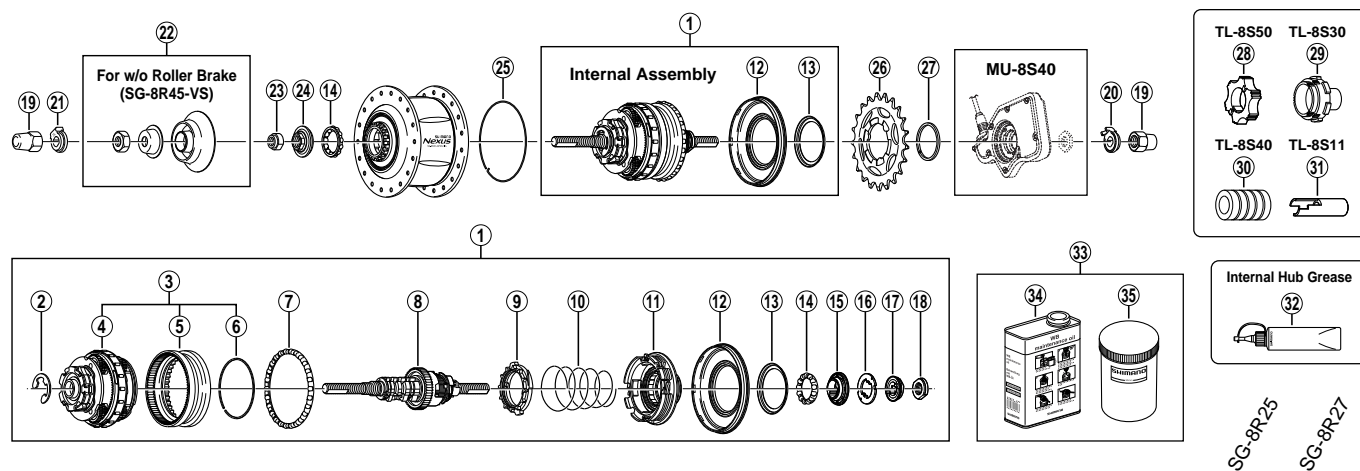


CYBER NEXUS 8-Speed Internal Hub SG-8R45



ITEM NO.	SHIMANO CODE NO.	DESCRIPTION	INTERCHANGEABILITY	
* 1	Y-35M 98031	Internal Assembly (Axle Length 184.9 mm)		
2	Y-34R 79000	Stop Ring (φ 12 / 1.0 mm)	A	A
	Y-34R 79010	Stop Ring (φ 12 / 1.3 mm)	A	A
	Y-34R 79020	Stop Ring (φ 12 / 1.6 mm)	A	A
* 3	Y-35J 98051	Ring Gear Unit	A	A
* 4	Y-35J 98021	Carrier Unit	A	A
5	Y-35J 07000	Ring Gear 1	A	A
6	Y-34R 80000	Ring Gear 1 Stop Ring	A	A
7	Y-34R 98030	Ball Retainer O (3/16" x 26)	A	A
8	Y-35M 98020	Hub Axle Unit (Axle Length 184.9 mm)		
9	Y-34R 98050	Clutch Unit	A	A
10	Y-34R 21000	Return Spring A	A	A
* 11	Y-35J 98041	Driver Unit	A	A
12	Y-34R 98110	Right Hand Dust Cap A w/Seal	A	
13	Y-34R 0E000	Right Hand Dust Cap B	A	
14	Y-34R 98070	Ball Retainer P (3/16" x 13)	A	A
15	Y-35R 98060	Right Hand Cone w/Seal		
16	Y-35M 05000	Driver Plate		
17	Y-35R 98070	Lock Washer		
18	Y-35M 03000	Right Hand Lock Nut A (4.7 mm)		
19	Y-314 14010	Cap Nut (3/8")	A	A
20	Y-33Z 20500	Non-turn Washer 5R (Yellow)	A	A
	Y-33M 39600	Non-turn Washer 6R (Silver)	A	A
	Y-33M 39700	Non-turn Washer 7R (Black)	A	A
	Y-34R 85010	Non-turn Washer 8R (Dark Blue)	A	A
21	Y-33M 39510	Non-turn Washer 5L (Brown)	A	A
	Y-33M 39610	Non-turn Washer 6L (White)	A	A
	Y-33M 39710	Non-turn Washer 7L (Gray)	A	A
	Y-34R 85000	Non-turn Washer 8L (Dark Green)	A	A
22	Y-34R 98100	Left Hand Dust Cap Unit	A	A
23	Y-31Z 06030	Lock Nut for Left Hand Cone	A	A
24	Y-35J 90000	Left Hand Cone w/Dust Cap	A	A
25	Y-35J 11100	Hub Shell Slide Spring	A	A
26	Y-322 03220	Sprocket Wheel 16T (Silver)	A	A
	Y-322 03420	Sprocket Wheel 18T (Silver)	A	A
	Y-322 03520	Sprocket Wheel 19T (Silver)	A	A
	Y-322 03620	Sprocket Wheel 20T (Silver)	A	A
	Y-330 60000	Sprocket Wheel 21T (Silver)	A	A
	Y-330 60100	Sprocket Wheel 22T (Silver)	A	A
* 27	Y-330 60200	Sprocket Wheel 23T (Silver)	A	A
27	Y-321 20100	Snap Ring C	A	A
28	Y-708 00500	TL-8S50 Carrier Unit Tool		
29	Y-708 00300	TL-8S30 Carrier Unit Tool	A	A
30	Y-708 00400	TL-8S40 Right Hand Cone Installation Tool		
31	Y-708 00600	TL-8S11 Right Hand Cone Removal Tool	A	A
32	Y-041 20800	Internal Hub Grease (Net. 100g)	A	A
* 33	Y-002 98010	Internal Hub Maintenance Oil Set	A	A
* 34	Y-002 01000	Oil (1L)	A	A
* 35	Y-002 01100	Bottle	A	A
* —	Y-34R 0D000	Right Hand Hub Cup	B	B

A: Same parts.

B: Parts are usable, but differ in materials, appearance, finish, size, etc.
Absence of mark indicates non-interchangeability.

0804-2415C

Specifications are subject to change without notice.

SHIMANO