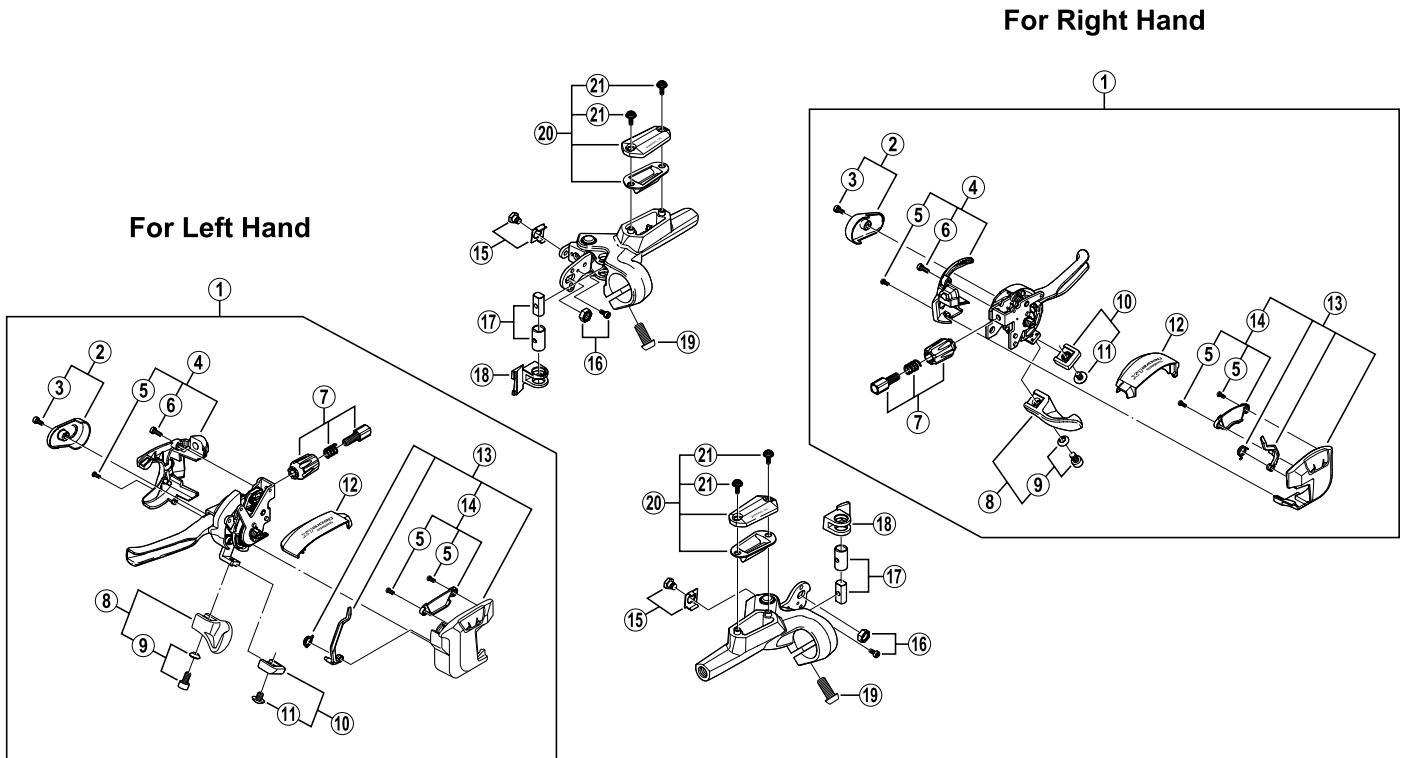


DEORE LX Dual Control Lever ST-M585 For Disc Brake



ITEM NO.	SHIMANO CODE NO.	DESCRIPTION
1	Y-6JY 98010	R.H. Main Lever Assembly
	Y-6JY 98020	L.H. Main Lever Assembly
2	Y-6JX 98030	R.H. Lever Cap & Fixing Screw
	Y-6JX 98040	L.H. Lever Cap & Fixing Screw
3	Y-6JJ 14000	Fixing Screw (M3 x 4)
4	Y-6JY 98030	R.H. Top Cover & Fixing Screws
	Y-6JY 98040	L.H. Top Cover & Fixing Screws
5	Y-6A8 43010	Cover Fixing Screw
6	Y-6JJ 14010	Fixing Screw (M3 x 7)
7	Y-6JX 98070	Shifting Cable Adjusting Bolt Unit
8	Y-6JX 98080	R.H. Release Lever Unit
	Y-6JX 98090	L.H. Release Lever Unit
9	Y-6JX 98100	Release Lever Fixing Bolt (M4 x 8) & Washer
10	Y-6JX 98130	Release Lever Cap & Fixing Screw
11	Y-6JX 0C000	Release Lever Cap Fixing Screw (M4 x 5)
12	Y-6JX 20000	R.H. Cable Cover
	Y-6JX 66000	L.H. Cable Cover
13	Y-6JX 98150	R.H. Bottom Cover Unit
	Y-6JX 98160	L.H. Bottom Cover Unit
14	Y-6JX 98170	R.H. Indicator Back Cover & Fixing Screws
	Y-6JX 98180	L.H. Indicator Back Cover & Fixing Screws
15	Y-6JX 98210	Upper Plate Fixing Bolt & Stopper
16	Y-6JX 98220	Unit Lock Nut (M6) & Fixing Screw (M3 x 4)
17	Y-6JY 98050	Reach Adjusting Boss & Sleeve
18	Y-6JY 10000	R.H. Base Block
	Y-6JY 56000	L.H. Base Block
19	Y-8SB 10000	Clamp Bolt (M6 x 14.8)
20	Y-6JY 98060	R.H. Lid Unit
	Y-6JY 98070	L.H. Lid Unit
21	Y-8SY 24000	Lid Fixing Screw (M3 x 8)

0405-2372