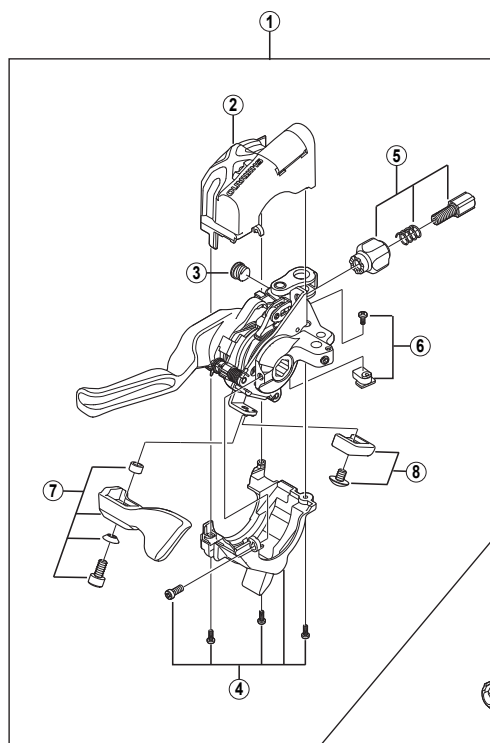
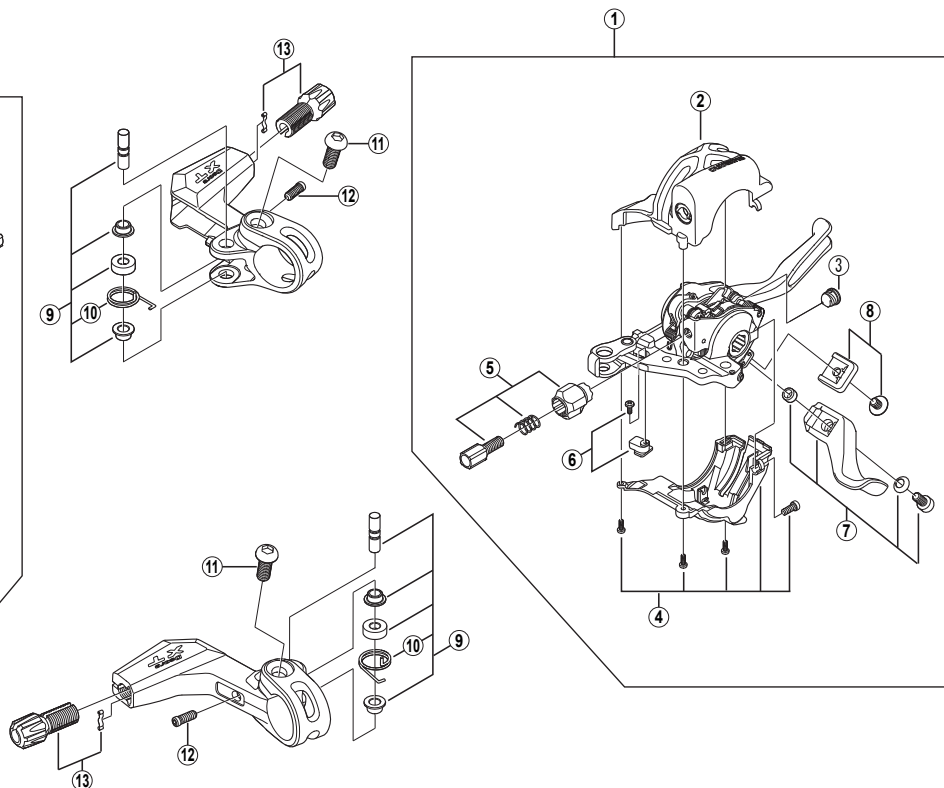


# DEORE XT Dual Control Lever ST-M770

For Left Hand



For Right Hand



ITEM NO.	SHIMANO CODE NO.	DESCRIPTION	INTERCHANGEABILITY		
			ST-M970	ST-M761	ST-M766
1	<b>Y-6MS 98010</b>	R.H. Main Lever Assembly			
	<b>Y-6MS 98020</b>	L.H. Main Lever Assembly			
2	<b>Y-6MS 03000</b>	R.H. Top Cover			
	<b>Y-6MT 53000</b>	L.H. Top Cover			
3	<b>Y-6CD 33000</b>	Inner Hole Cap	A		
* 4	<b>Y-6MS 98030</b>	R.H. Bottom Cover & Fixing Screw			
* 4	<b>Y-6MS 98040</b>	L.H. Bottom Cover & Fixing Screw			
5	<b>Y-6MS 98140</b>	Cable Adjusting Bolt Unit	B		
6	<b>Y-6MS 98060</b>	Adjustment Block & Screw	A	A	
* 7	<b>Y-6MS 98070</b>	R.H. Release Lever Unit	A	A	A
* 7	<b>Y-6MS 98080</b>	L.H. Release Lever Unit	A	A	A
8	<b>Y-6JX 98130</b>	Release Lever Cap & Fixing Screw (M4 x 5)	A	A	A
9	<b>Y-6MS 98090</b>	R.H. Lever Axle Unit			
	<b>Y-6MS 98100</b>	L.H. Lever Axle Unit			
10	<b>Y-6GR 85100</b>	R.H. Return Spring	A		
	<b>Y-6GR 85000</b>	L.H. Return Spring	A		
11	<b>Y-6MT 47000</b>	Clamp Bolt (M6 x 14.8)		A	A
12	<b>Y-6AM 82020</b>	Grip Adjusting Bolt (M4 x 10)	A	A	
13	<b>Y-6MS 98110</b>	Brake Cable Adjusting Bolt & Spring	A	A	

A: Same parts.

B: Parts are usable, but differ in materials, appearance, finish, size, etc.

Absence of mark indicates non-interchangeability.

0707-2709B

Specifications are subject to change without notice.

# SHIMANO